

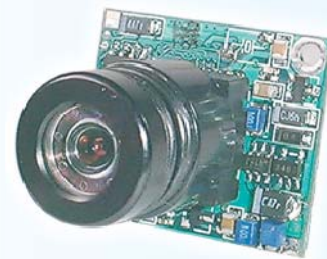
Specification

Board CCD Camera

CCD BOARD CAMERA		
Item NO.	MS-C426xX	MS-C826xX
Video system.	NTSC/PAL (Color)	
Number of Effective Pixels	PAL	500x528
	NTSC	510x492
CCD Image Sensor	1/4" Interline CCD	
Scanning System	2:1 INTERLACE	
Synchronization	INTERNAL	
Resolution (TV Lines)	350 TV Lines	470 TV Lines
S/N Ratio	more than 48dB	
Minimum Illumination	0.2Lux / F 1.2	
Electronic Shutter	1/50 - 1/120000	
Horizontal Sync Frequency	NTSC(EIA)-15.73kHz / PAL(CCIIR)-15.62kHz	
Vertical Sync Frequency	NTSC(EIA)-60kHz / PAL(CCIIR)-50Hz	
Gamma Consumption	0.45	
Video Output	1Vp-p , 75ohms Composite	
Audio Output	Frequency 20-16000Hz,S/N ratio more than 58dB (Optional)	
Built-In Lens	3.6mm/F2.0(G-type) / 3.7mm/F2.0(P-type)	
Power Source	DC 12V(standard)	
Lens Angle	3.6mm/76 Degree	3.7mm/75 Degree
Storage Temperature	-30 to 60 Degree C	
Working Temperature	-10 to 45 Degree C	
Power Current	150mA(max)	
Dimensions (mm)	22(W)x26(L)mm (by model for different)	



MS-Cx26PX



MS-Cx26GX

Ordering Information

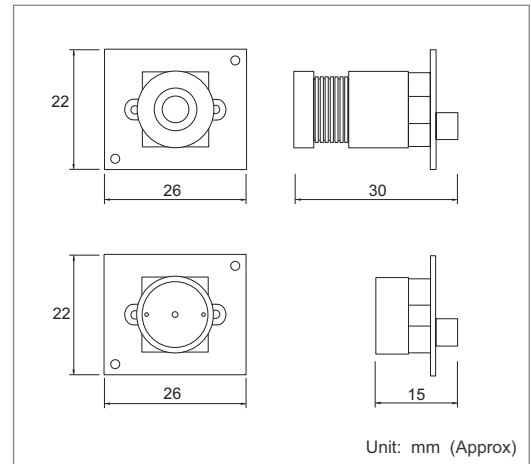
MODEL	MICRO LENS	PIN HOLE	MIC	NOTE
MS-C426GX	3.6mm/F2.0			1/4" CCD M.RES
MS-C426GXA	3.6mm/F2.0		●	1/4" CCD M.RES
MS-C426PX		3.7mm/F2.0		1/4" CCD M.RES
MS-C426PXA		3.7mm/F2.0	●	1/4" CCD M.RES
MS-C826GX	3.6mm/F2.0			1/4" CCD H.RES
MS-C826GXA	3.6mm/F2.0		●	1/4" CCD H.RES
MS-C826PX		3.7mm/F2.0		1/4" CCD H.RES
MS-C826PXA		3.7mm/F2.0	●	1/4" CCD H.RES

NOTE:

MS-C426GXA:

- ① MS : CCD CAMERA
- ② C : Color B : BW
- ③ 4 : Medium resolution ; 8 : High resolution
- ④ 26 : Board Dimension 26x26(mm)
- ⑤ G : Micro Lens P : Pin Hold Lens
- ⑥ A : W/Microphone

Dimensions



Feature

High Quality picture.
Compact size.
Mirror function: ordering in advance.
Backlight compensation.
Auto white balance.
Equipping Electronics-Auto-Iris.
High performance.
Competitive price.
Exchange for any kind of lens.
High speed white balance mode (1Fild)
Outatanding Quality.